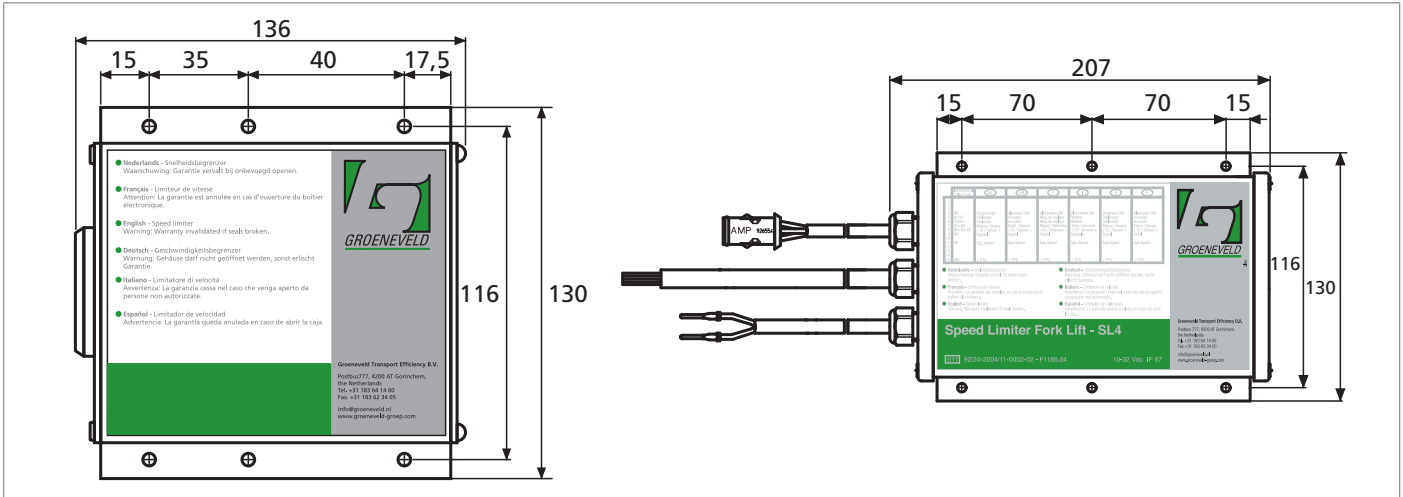


Specification sheet

Speedlimiter ESL

Dimensions (mm)



Versions

Article code	Type	Supply voltage	Description	Proximity switch
F175922	Electric	10 > 32 Vdc	ESL 2 kit	No
F121595	Electric	10 > 32 Vdc	ESL 2 kit IP67	Yes
F176981	Electric	10 > 32 Vdc	ESL 2 kit IP67	No

Electric control unit

Supply voltage	8 - 32 Vdc
Input signal vehicle	Speed signal from tachograph / pulse transmitter
Input signal engine	RPM derived from alternator speed
Potentionmeter possibilities	1, 2 or 3 potention meter(s) or 1 or 2 potention meter(s) and 1 switch
Temperature range	-35 °C up to +85 °C
Housing	Aluminium
Protection class	IP20 (optional IP67)

Standard functions and options

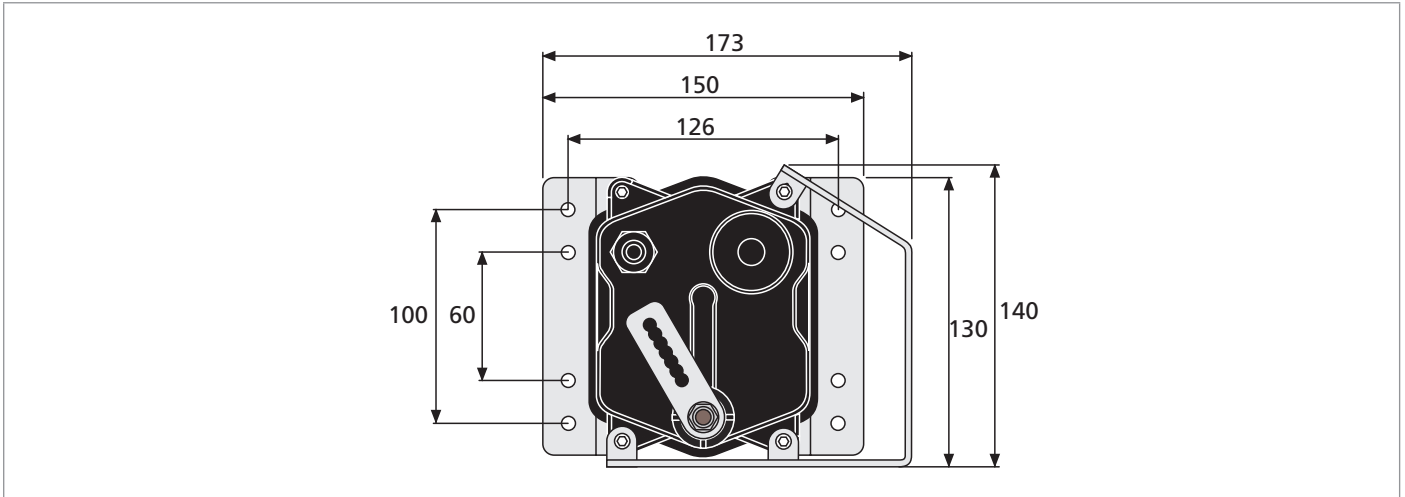
LED	Information about Speedhold, Cruise control, PTO, self test
Speedhold	Temporary limitation at a lower maximum speed
Cruise control	With or without engine brake
Second end speed	Activation by signal
Trigger speed	Activation by signal
RPM Control	Restraining the RPM
RPM Control and PTO	Actuating an external unit with a constant RPM
Variable PTO with automatic acceleration and RPM control	Actuating an external unit with a variable RPM

Groeneveld's Speedlimiter complies to following guidelines: ECE-R10, rev.4, ECE-R89 , JASO D001-94, Mitsubishi (part 4.9 + 4.11)

Specification sheet

Speedlimiter SL-4

Dimensions (mm)*



* Dimensions of the control unit are the same as the ESL (p.t.o.).

Versions

Article code	Type	Supply voltage	Description	Complete cable	Proximity switch
F175957	Mechanical	12 Vdc	SL4 kit EFA	0.75 m	No
F175954	Mechanical	24 Vdc	SL4 kit EFA	0.75 m	No
F175958	Mechanical	12 Vdc	SL4 kit EFA	1 m	No
F175955	Mechanical	24 Vdc	SL4 kit EFA	1 m	No
F175959	Mechanical	12 Vdc	SL4 kit EFA	1.5 m	No
F175956	Mechanical	24 Vdc	SL4 kit EFA	1.5 m	No
F117614	Mechanical	12 Vdc	SL4 kit EFA IP67	1 m	Yes
F117615	Mechanical	24 Vdc	SL4 kit EFA IP67	1 m	Yes
F178527	Mechanical	12 Vdc	SL4 kit EFA IP67	1 m	No
F178528	Mechanical	24 Vdc	SL4 kit EFA IP67	1 m	No

Actuator

Supply voltage	12 Vdc - 24 Vdc
Current	0.4 - 0.8 A
Input signal	Electric control
Temperature range	-30 °C up to +120 °C
Weight	0.4 kg
Suitable for	Installation kits for all standard versions of vehicles

Electric control unit EFA

Protection class	IP67
Supply voltage	10 - 32 Vdc
Temperature range	-35 °C up to +85 °C
Housing	Aluminium
Protection class	IP20 (optional IP67)

Groeneveld Speedlimiters comply to the following electromagnetic compatibility requirements:
ECE-R10, rev.4, ECE-R89, EN12895 (2000)