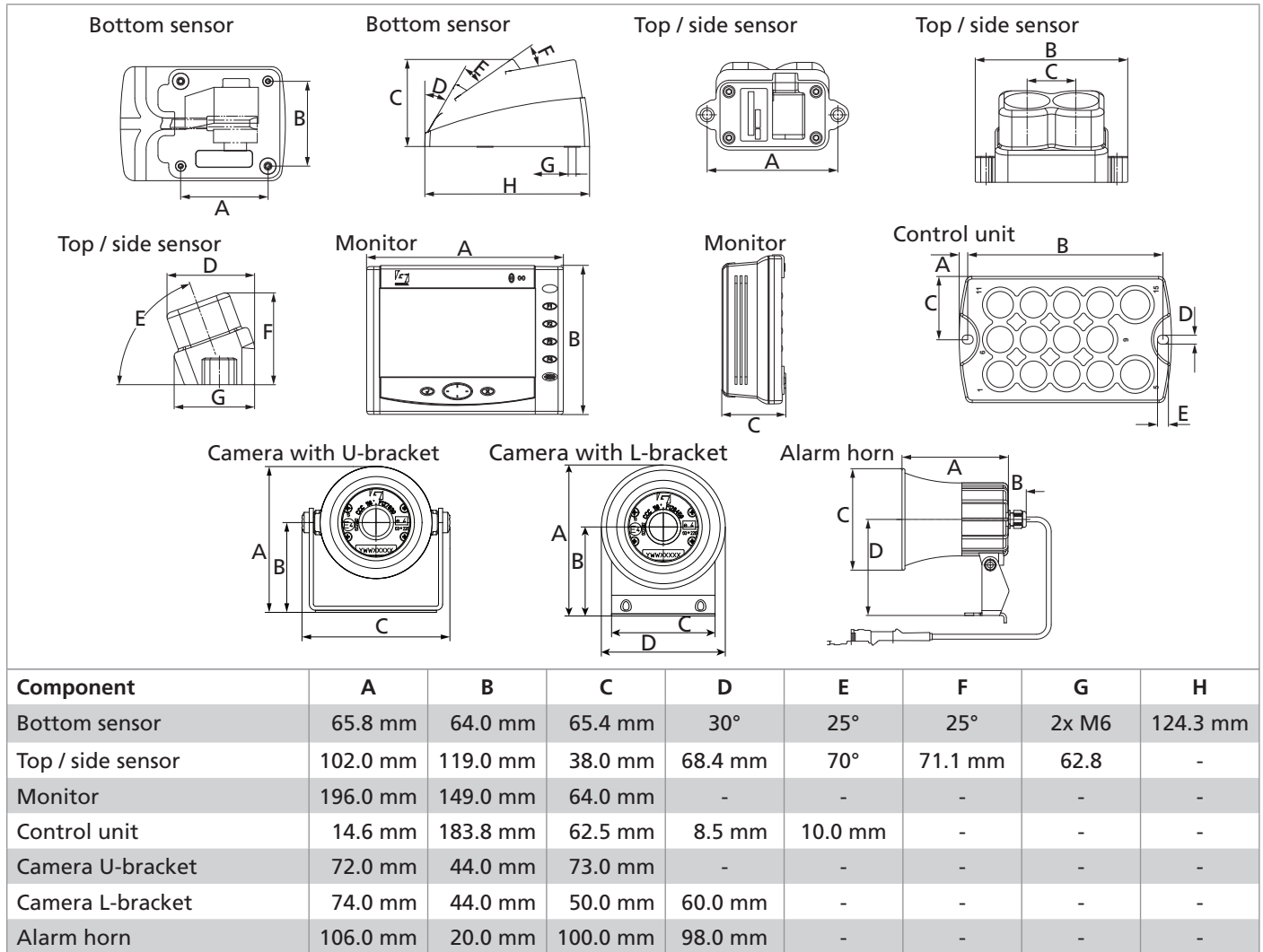


# Specification sheet

## Greensight safety support system

### Dimensions



### Greensight obstacle detection system

- 97% coverage of detection area.
- Bi-static measurement.
- Flexible adjustment and zone settings.
- Sturdy design based on military technology.
- According to ISO and DIN standards.

### Greensight camera system

- CMOS full color lens type in 104° and 116° viewing angle.
- Sturdy housing material: anodised black painted aluminum and gas filled.
- Sturdy bracket material: zinc plated steel.
- Extreme high Lux 0.025 sensitivity (50IRE F1.2 3200°K).
- Automatic heated lens +15 °C.
- Large temperature range -40 °C up to +70 °C.

### Greensight monitor

- Highest water resistance norm.
- High sensitivity 0.025 lux (50 IRE F1.2 3200°K).
- Large TFT display 7 inch with high resolution 800 x 480 pixels (WxH).
- CAN-Bus connection prepared (FMS).
- Acoustic warning adjustable up to a maximum of 85 dB(A).
- Different menu languages available.
- Shows up to four cameras.

# Specification sheet

## Greensight safety support system

### Approvals

Greensight obstacle detection system complies with the electromagnetic compatibility requirements of:

- ECE-R10 (rev. 4) Automotive standard of the UN (E4-10R-04 2806)
- ISO 13766: 2006 Earth Moving Machinery standard
- EN 12895: 2000 Industrial Trucks standard
- EN 50121-3-2: 2006 Railway standard(2004/108/EC)

and certified by the following agency:

- RDW-installation approval concerning transport of dangerous goods (ADR) VR154734 (26-05-2008)

Greensight monitor with camera(s) complies with the electromagnetic compatibility requirements of:

- Automotive guideline ECE-R10 rev. 4 (E4-10R-04 1518)

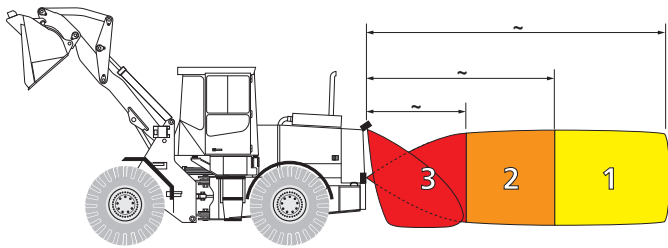
### Signalling zones (factory setting)

Signalling zones and detection area	Custom specification possible (adjustable)
Attention zone	1.70 to 3.00 m
Danger zone	0.70 to 1.70 m
Immediate collision danger	0 to 0.70 m
Minimum dimensions of obstacle	ø75 mm

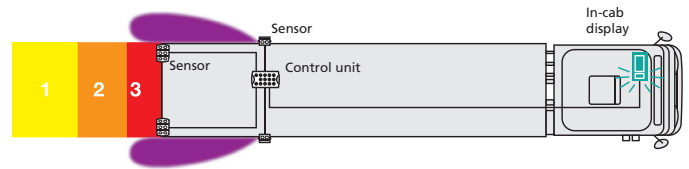
### Weights

Control unit	700 gram
Bottom sensor	460 gram
Top / side sensor	260 gram
Camera with L-bracket	33 gram
Camera with U-bracket	28 gram
Monitor	1000 gram

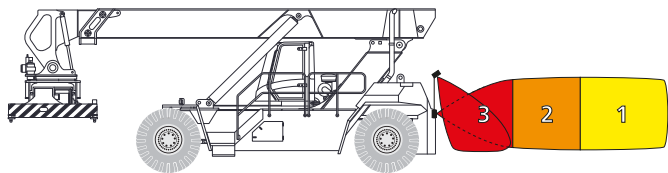
### Application examples



Off-road application



Truck application



Port equipment application



Lift truck application