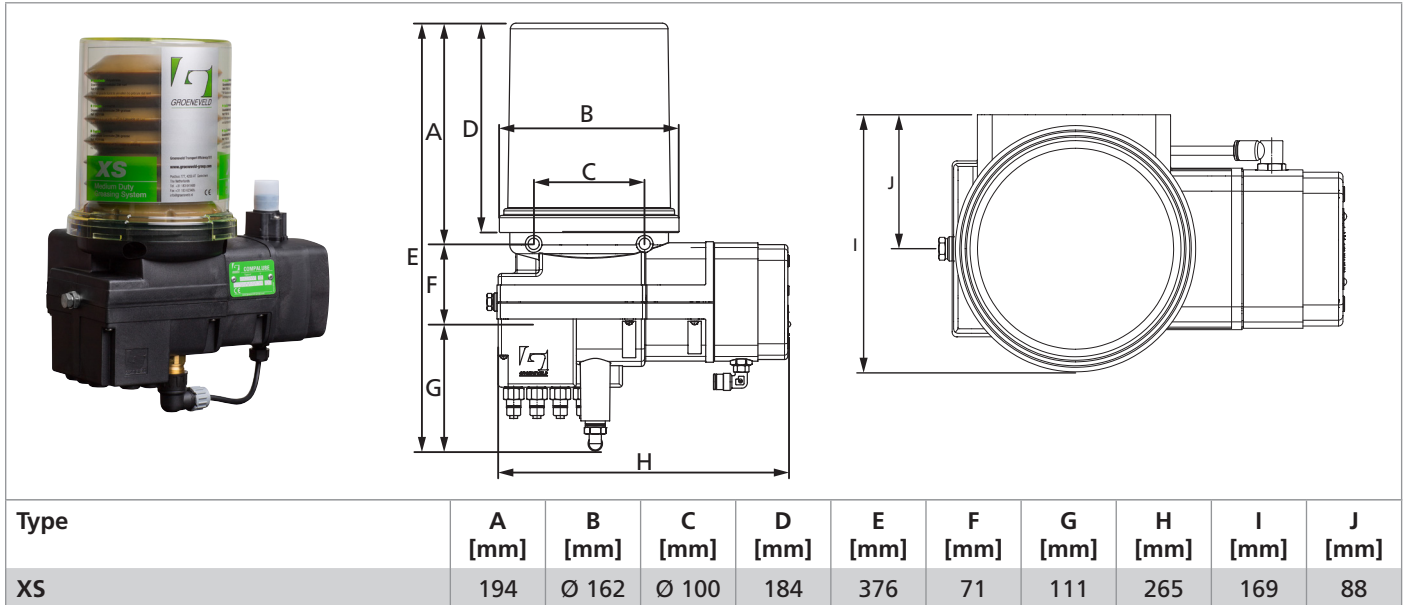


Specification sheet

XS automatic lubrication system

Dimensions



Version

Article code	Supply voltage	Capacity reservoir cartridge	Grease delivery	Max. operating pressure
F122300	12 Vdc	1.8 litre	20 cc/cycle	55 bar

Basic information

Pump type	Electric
Max. number of lubrication points	19
Cartridge or refillable	Cartridge
Filled with	GreenLube ZW-0
Temperature range	-25 °C up to +70 °C
Controlled by	Timer
Interval	30 - 240 minutes

Maximum length of the grease lines

Temperature	Max. length 6 mm tube with metering unit no.1 / 3 / 8
-15 °C / 5 °F	7.5 meter
-20 °C / -4 °F	5 meter
-25 °C / -13 °F	3 meter

Grease capacity metering units

Metering unit	cc per cycle
Type 0	0.025
Type 1	0.050
Type 2	0.100
Type 3	0.150

Metering unit	cc per cycle
Type 4	0.200
Type 8	0.400
Type 9	1.000