
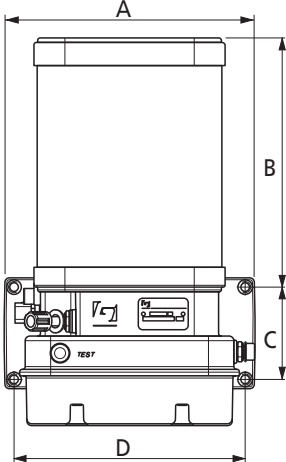
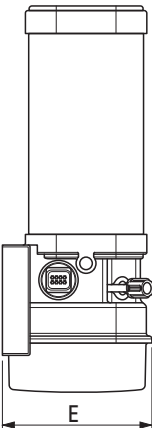
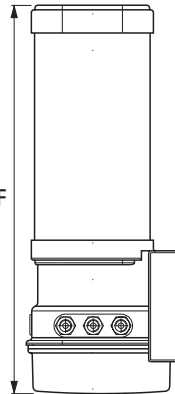


Specification sheet

BreakAlube single point automatic lubrication system

Dimensions

						
	A	B	C	D	E	F
Type	A [mm]	B [mm]	C [mm]	D [mm]	E [mm]	F [mm]
BreakAlube	270	272	100	250	162	423

Versions

Article code	Capacity reservoir	Supply voltage	Grease delivery	Max. operating pressure
F129096	4 litre	12 Vdc	4 cc/min	300 bar
F129072	4 litre	24 Vdc	4 cc/min	300 bar
F129095*	4 litre	24 Vdc	4 cc/min	300 bar

* Pump only, excluding grease.

Basic information

Pump type	Electric
Operating principle	Progressive
Output	1
Max. number of lubrication points	1
Cartridge or refillable	Refillable
Grease class up to	NLGI-2
Temperature range	-20 °C up to +70 °C
Controlled by	Timer
Output	4 cc/min. / 0.2 cc/revolution
Interval	1 minute fixed
Rating pump motor (nominal at 20 °C)	36 W
Rest current	10 mA
Minimum level switch	Standard
Pump material	Hard anodised aluminium - nylon reinforced
Protection class	IP67 (for lower part of pump unit)
Regulations / EMC	ISO13766